

**BROEN
UNIFLEX™
FITTINGS
FOR WATER**











BROEN UNIFLEX™ FITTINGS FOR WATER

BROEN UNIFLEX™ FITTINGS FOR WATER



BROEN

INTELLIGENT FLOW SOLUTIONS

Content	Page
Table of Content	2
BROEN UniFlex™ BASIC	4
Product Overview	5
Water Fittings	
Bench Mounted Fitting with Swivel Spout  6	Single Handle Mixer Bench Mounted  16
Bench Fitting Mounted on a Column  7	Single Handle Mixer Bench Mounted with Hand Shower  17
Two Valve Bench Mounted Fitting on a U-Shaped Column  8	One Handle Two Hole Mixer with Swivel Spout  18
Two Valve Bench Mounted Fitting on a Tee-shaped Column  9	One Handle Mixer with Swivel Spout  19
Bench Mounted Fitting on a Column with Swivel Spout  10	Water Fittings - Standard Boss  20
Three Valve Bench Mounted Fitting  11	Water Mixers - Standard Boss  21
Wall Mounted Fitting  12	
Two Handle Bench Mounted One Hole Mixer with Swivel Spout  13	
Suspended 2-Valve Fitting  14	
BROEN UniFlex™ Hoses for Water 22	
Ordering Information	
BROEN UniFlex™ Fittings..... 23	
BROEN UniFlex™ Hoses for Water..... 24	
Headwork	
Plastic Handle..... 25	
Wrist Action Lever..... 26	
Accessories / Spare Parts 27	

BASIC

BROEN UNIFLEX™ FITTINGS FOR WATER



THIS IS BROEN UNIFLEX™ BASIC

BROEN UniFlex™ BASIC line offers high quality and durability combined with the complete program, which adds up to low LCC (Life Cycle Costs).

BROEN UNIFLEX™ FITTINGS FOR WATER



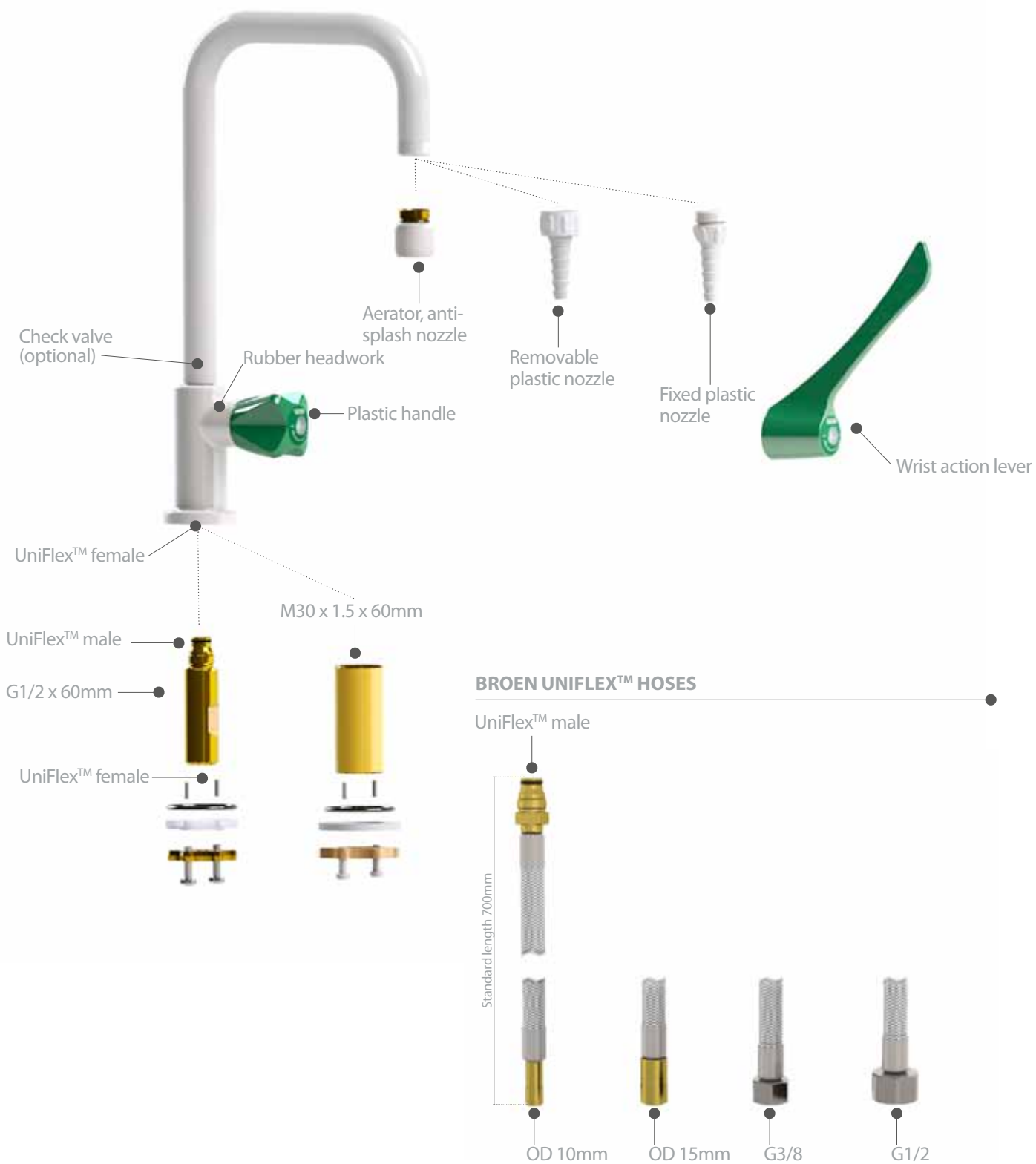
The operation and the configuration of the BROEN UniFlex™ BASIC fittings are highly adapted to the requirements of modern laboratories in the educational sector.

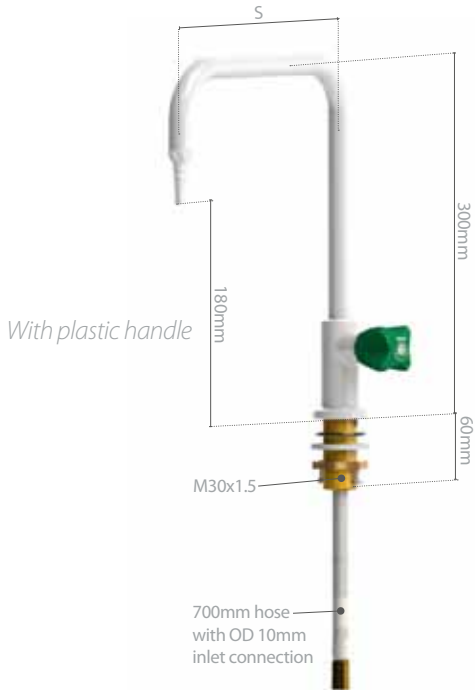
The fittings are manufactured of the highest quality materials. The surface of laboratory fittings is treated with BROEN POLYCOAT powder coating, which makes the surface highly resistant to most chemicals, UV fading and heat.

Most BROEN UniFlex™ BASIC fittings for water are as a standard delivered with a fixed plastic hose nozzle and a plastic handle. As an option it is possible to get water fittings with an integrated check valve, which prevents backflow. The fittings are delivered with easy-to-mount anti-rotational mounting kit.

THIS IS BROEN UNIFLEX™

BROEN UniFlex™ is a unique and patented connection, which allows customers to choose from various connection methods, such as hoses, Cu, PEX or Stainless Steel pipes, without changing the valve itself. It provides unique flexibility, not only for the installer, but also for the end-user. Due to the flexibility of the system, the quick installation and savings on fittings, this system offers lower TIC (Total Installed Costs).





SPECIFICATIONS

- Handle:** Plastic, with media indication according to EN13792
- Spout:** Full swivel action
- Hose nozzle:** Fixed plastic
- Headwork:** Rubber (wrist action lever: ceramic)
- Opening/closing function:** 2 x 360° (wrist action lever: 90°)
- Temperature range:** 0-65°C
- Max. working pressure:** 10 bar / 147 psi
- Test pressure:** 1 x working pressure
- Weight:** 1.4 kg

MATERIALS WITH MEDIA CONTACT

- Metals:** Brass
- Plastics:** PP, PTFE, SPX (hose)
- Sealing:** EPDM
- Lubricant:** Silicone based
- Ceramics:** Al₂O₃ 96% (wrist action lever only)

ORDERING INFORMATION

For standard configuration please refer to the item numbers below.

Other options:

- aerator
- removable plastic hose nozzle
- integrated non-return valve
- fixed spout (rear, left or right)
- alternative hose inlet connection / without a hose
- other inlet options (type, length)
- national approvals
- WPH (Water Potable Hot)
- WNH (Water Non-Potable Hot)

BROEN UNIFLEX™ FITTINGS FOR WATER

With wrist action lever



Model: Plastic handle

Media	S = 150mm	S = 200mm	S = 250mm	S = 300mm
Potable water, cold	2534 008 1001-52B	2534 084 1001-52B	2534 085 1001-52B	2534 086 1001-52B
Non-potable water, cold	2534 008 1007-52B	2534 084 1007-52B	2534 085 1007-52B	2534 086 1007-52B

Model: Wrist action lever

Media	S = 150mm	S = 200mm	S = 250mm	S = 300mm
Potable water, cold	2534 087 1001-52B	2534 088 1001-52B	2534 089 1001-52B	2534 083 1001-52B
Non-potable water, cold	2534 087 1007-52B	2534 088 1007-52B	2534 089 1007-52B	2534 083 1007-52B

For further information and mounting instructions please refer to www.BROEN.com or contact your local BROEN LAB representative.



With plastic handle

SPECIFICATIONS

- Handle:** Plastic, with media indication according to EN13792
- Hose nozzle:** Fixed plastic (can be unscrewed by hand, thread: male G3/8)
- Headwork:** Rubber (wrist action lever: ceramic)
- Opening/closing function:** 2 x 360° (wrist action lever: 90°)
- Temperature range:** 0-65°C
- Max. working pressure:** 10 bar / 147 psi
- Test pressure:** 1 x working pressure
- Weight:** 1.5 kg

MATERIALS WITH MEDIA CONTACT

- Metals:** Brass
- Plastics:** PP, SPX (hose)
- Sealing:** EPDM
- Lubricant:** Silicone based
- Ceramics:** Al₂O₃ 96% (wrist action lever only)

ORDERING INFORMATION

For standard configuration please refer to the item numbers below.

- Other options:
- aerator
 - removable plastic hose nozzle
 - integrated non-return valve
 - alternative hose inlet connection / without a hose
 - other inlet options (type, length)
 - national approvals
 - WPH (Water Potable Hot)
 - WNH (Water Non-Potable Hot)



With wrist action lever

Model: Plastic handle



BROEN UNIFLEX™ FITTINGS FOR WATER

Media	S = 150mm	S = 200mm
Potable water, cold	2533 085 1001-52B	2533 097 1001-52B
Non-potable water, cold	2533 085 1007-52B	2533 097 1007-52B

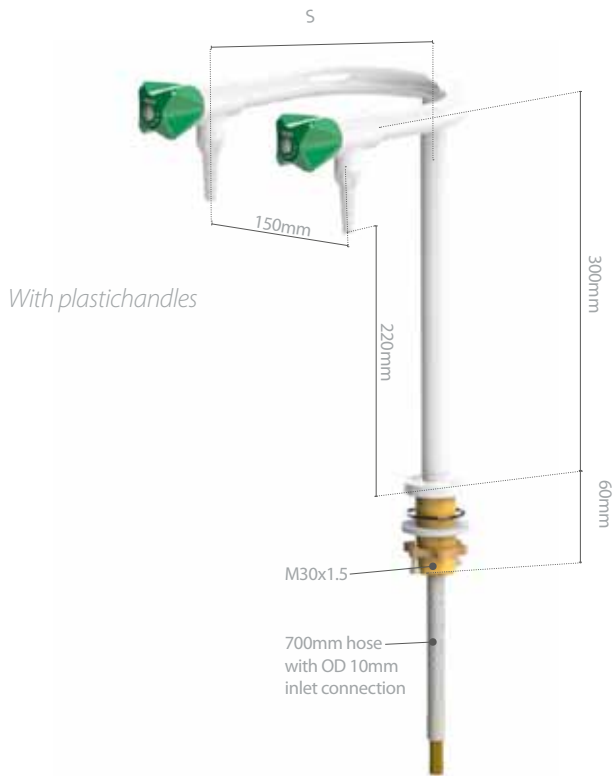
Model: Wrist action lever



Media	S = 150mm	S = 200mm
Potable water, cold	2533 095 1001-52B	2533 147 1001-52B
Non-potable water, cold	2533 095 1007-52B	2533 147 1007-52B

For further information and mounting instructions please refer to www.BROEN.com or contact your local BROEN LAB representative.

TWO VALVE BENCH MOUNTED FITTING ON A U-SHAPED COLUMN



With plastic handles

SPECIFICATIONS

- Handle:** Plastic, with media indication according to EN13792
- Hose nozzle:** Fixed plastic (can be unscrewed by hand, thread: male G3/8)
- Headwork:** Rubber (wrist action lever: ceramic)
- Opening/closing function:** 2 x 360° (wrist action lever: 90°)
- Temperature range:** 0-65°C
- Max. working pressure:** 10 bar / 147 psi
- Test pressure:** 1 x working pressure
- Weight:** 2.5 kg

MATERIALS WITH MEDIA CONTACT

- Metals:** Brass
- Plastics:** PP, SPX (hose)
- Sealing:** EPDM
- Lubricant:** Silicone based
- Ceramics:** Al₂O₃ 96% (wrist action lever only)

ORDERING INFORMATION

For standard configuration please refer to the item numbers below.

Other options:

- aerator
- removable plastic hose nozzle
- integrated non-return valve
- alternative hose inlet connection / without a hose
- other inlet options (type, length)
- national approvals
- WPH (Water Potable Hot)
- WNH (Water Non-Potable Hot)



With wrist action levers

Model: Plastic handle



BROEN UNIFLEX™ FITTINGS FOR WATER

Media	S = 150mm	S = 200mm
Potable water, cold	2533 086 1001-52B	2533 149 1001-52B
Non-potable water, cold	2533 086 1007-52B	2533 149 1007-52B

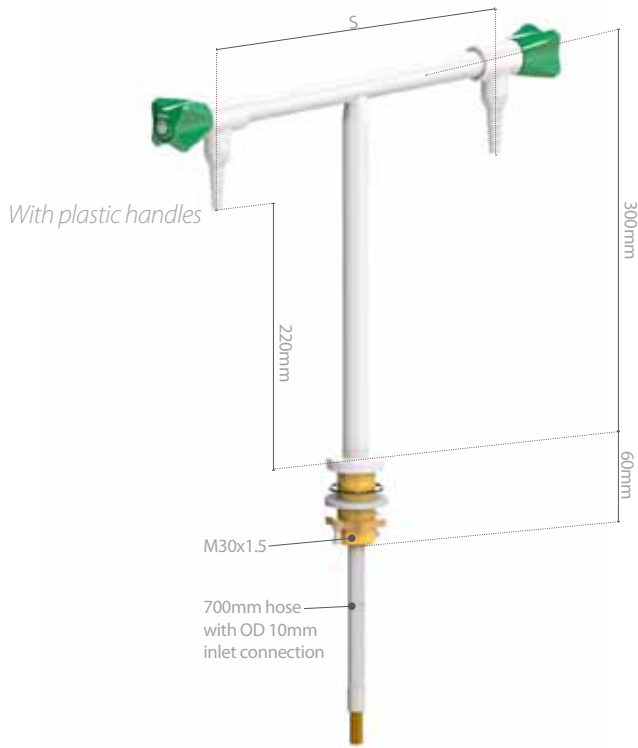
Model: Wrist action lever



Media	S = 150mm	S = 200mm
Potable water, cold	2533 148 1001-52B	2533 150 1001-52B
Non-potable water, cold	2533 148 1007-52B	2533 150 1007-52B

For further information and mounting instructions please refer to www.BROEN.com or contact your local BROEN LAB representative.

TWO VALVE BENCH MOUNTED FITTING ON A TEE-SHAPED COMLUMN



SPECIFICATIONS

- Handle:** Plastic, with media indication according to EN13792
- Hose nozzle:** Fixed plastic (can be unscrewed by hand, thread: male G3/8)
- Headwork:** Rubber (wrist action lever: ceramic)
- Opening/closing function:** 2 x 360° (wrist action lever: 90°)
- Temperature range:** 0-65°C
- Max. working pressure:** 10 bar / 147 psi
- Test pressure:** 1 x working pressure
- Weight:** 2.3 kg

MATERIALS WITH MEDIA CONTACT

- Metals:** Brass
- Plastics:** PP, SPX (hose)
- Sealing:** EPDM
- Lubricant:** Silicone based
- Ceramics:** Al₂O₃ 96% (wrist action lever)

ORDERING INFORMATION

For standard configuration please refer to the item numbers below.

- Other options:
- aerator
 - removable plastic hose nozzle
 - integrated non-return valve
 - alternative hose inlet connection / without a hose
 - other inlet options (type, length)
 - national approvals
 - WPH (Water Potable Hot)
 - WNH (Water Non-Potable Hot)



Model: Plastic handle

BROEN UNIFLEX™ FITTINGS FOR WATER

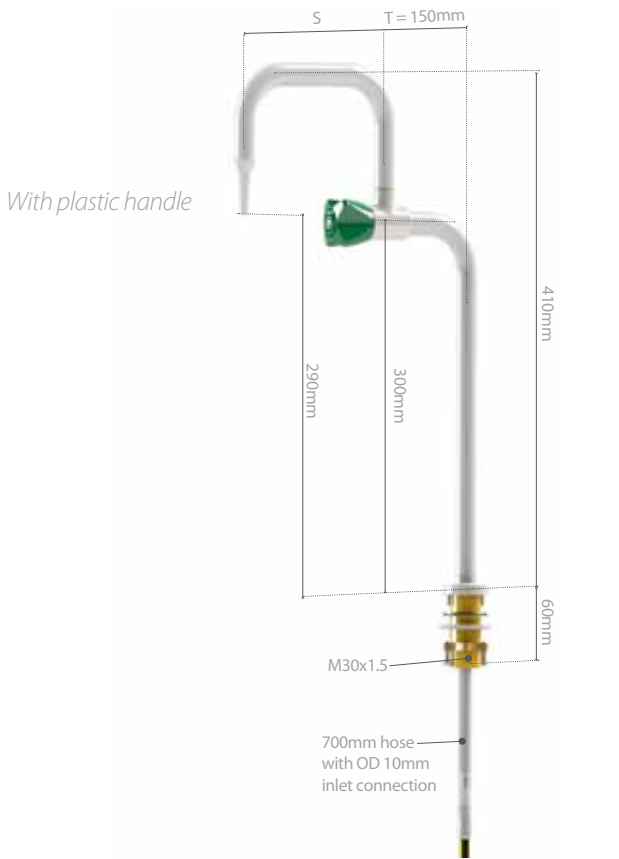
Media	S = 300mm	S = 400mm
Potable water, cold	2533 087 1001-52B	2533 130 1001-52B
Non-potable water, cold	2533 087 1007-52B	2533 130 1007-52B



Model: Wrist action lever

Media	S = 300mm	S = 400mm
Potable water, cold	2533 151 1001-52B	2533 152 1001-52B
Non-potable water, cold	2533 151 1007-52B	2533 152 1007-52B

For further information and mounting instructions please refer to www.BROEN.com or contact your local BROEN LAB representative.



SPECIFICATIONS

- Handle:** Plastic, with media indication according to EN13792
- Spout:** Full swivel action
- Hose nozzle:** U-shape - fixed plastic
S-shape - removable plastic
- Headwork:** Rubber (wrist action lever: ceramic)
- Opening/closing function:** 2 x 360° (wrist action lever: 90°)
- Temperature range:** 0-65°C
- Max. working pressure:** 10 bar / 147 psi
- Test pressure:** 1 x working pressure
- Weight:** 2 kg

MATERIALS WITH MEDIA CONTACT


- Metals:** Brass
- Plastics:** PP, PTFE, SPX (hose)
- Sealing:** EPDM
- Lubricant:** Silicone based
- Ceramics:** Al₂O₃ 96% (wrist action lever)

ORDERING INFORMATION


For standard configuration please refer to the item numbers below.

- Other options:
- aerator
 - removable plastic hose nozzle (U-shape)
 - wrist action lever
 - integrated non-return valve
 - T = 200mm
 - alternative hose inlet connection / without a hose
 - other inlet options (type, length)
 - national approvals
 - WPH (Water Potable Hot)
 - WNH (Water Non-Potable Hot)

Model: Plastic handle  U-shape, fixed nozzle

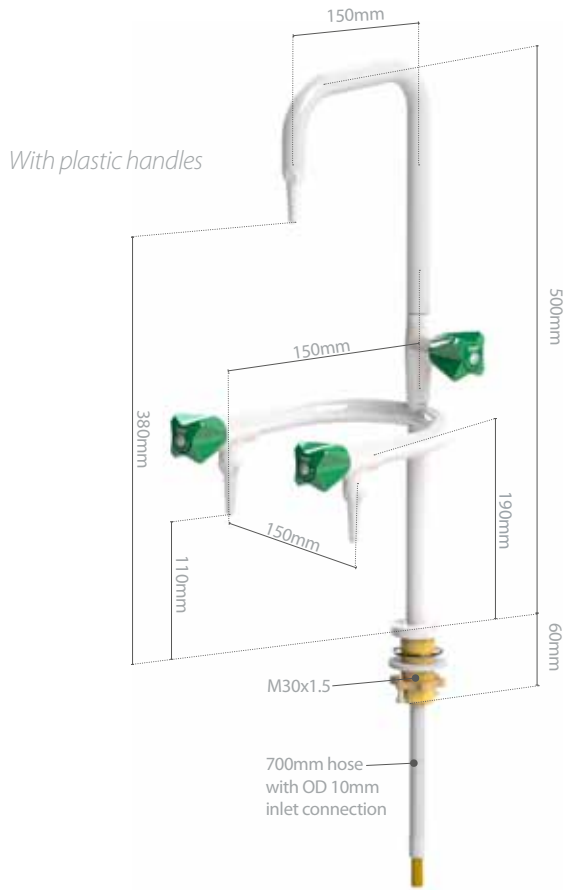
Media	S = 150mm	S = 200mm
 Potable water, cold	2533 141 1001-52B	2533 142 1001-52B
 Non-potable water, cold	2533 141 1007-52B	2533 142 1007-52B

Model: Plastic handle  S-shape, removable nozzle

Media	S = 150mm	S = 200mm
 Potable water, cold	2533 143 1001-52B	2533 144 1001-52B
 Non-potable water, cold	2533 143 1007-52B	2533 144 1007-52B

For further information and mounting instructions please refer to www.BROEN.com or contact your local BROEN LAB representative.

THREE VALVE BENCH MOUNTED FITTING



SPECIFICATIONS

- Handle:** Plastic, with media indication according to EN13792
- Spout:** Full swivel action
- Hose nozzle:** Fixed plastic (can be unscrewed by hand from angle valves, thread: male G3/8)
- Headwork:** Rubber (wrist action lever: ceramic)
- Opening/closing function:** 2 x 360° (wrist action lever: 90°)
- Temperature range:** 0-65°C
- Max. working pressure:** 10 bar / 147 psi
- Test pressure:** 1 x working pressure
- Weight:** 3 kg

MATERIALS WITH MEDIA CONTACT

- Metals:** Brass
- Plastics:** PP, PTFE, SPX (hose)
- Sealing:** EPDM
- Lubricant:** Silicone based
- Ceramics:** Al₂O₃ 96% (wrist action lever only)
- Solder:** DIN L-Ag55:Sn

ORDERING INFORMATION

For standard configuration please refer to the item numbers below.

Other options:

- aerator
- removable plastic hose nozzle
- integrated non-return valve
- alternative hose inlet connection / without a hose
- other inlet options (type, length)
- national approvals
- WPH (Water Potable Hot)
- WNH (Water Non-Potable Hot)

BROEN UNIFLEX™ FITTINGS FOR WATER

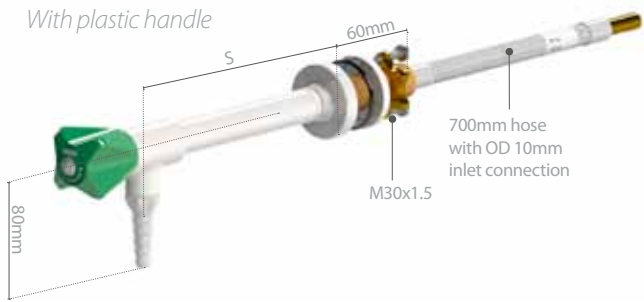
Media	S = 150mm
Potable water, cold	2533 094 1001-52B
Non-potable water, cold	2533 094 1007-52B



Media	S = 150mm
Potable water, cold	2533 096 1001-52B
Non-potable water, cold	2533 096 1007-52B

For further information and mounting instructions please refer to www.BROEN.com or contact your local BROEN LAB representative.

With plastic handle



SPECIFICATIONS

- Handle:** Plastic, with media indication according to EN13792
- Hose nozzle:** Fixed plastic (can be unscrewed by hand, thread: male G3/8)
- Headwork:** Rubber (wrist action lever: ceramic)
- Opening/closing function:** 2 x 360° (wrist action lever: 90°)
- Temperature range:** 0-65°C
- Max. working pressure:** 10 bar / 147 psi
- Test pressure:** 1 x working pressure
- Weight:** 1.0 kg

MATERIALS WITH MEDIA CONTACT

- Metals:** Brass
- Plastics:** PP, SPX (hose)
- Sealing:** EPDM
- Lubricant:** Silicone based
- Ceramics:** Al₂O₃ 96% (wrist action lever only)

ORDERING INFORMATION

For standard configuration please refer to the item numbers below.

Other options:

- aerator
- removable plastic hose nozzle
- integrated non-return valve
- alternative hose inlet connection / without a hose
- other inlet options (type, length)
- national approvals
- WPH (Water Potable Hot)
- WNH (Water Non-Potable Hot)

With wrist action lever



Model: Plastic handle



BROEN UNIFLEX™ FITTINGS FOR WATER

Media	S = 150mm	S = 200mm
Potable water, cold	2533 136 1001-52B	2533 137 1001-52B
Non-potable water, cold	2533 136 1007-52B	2533 137 1007-52B

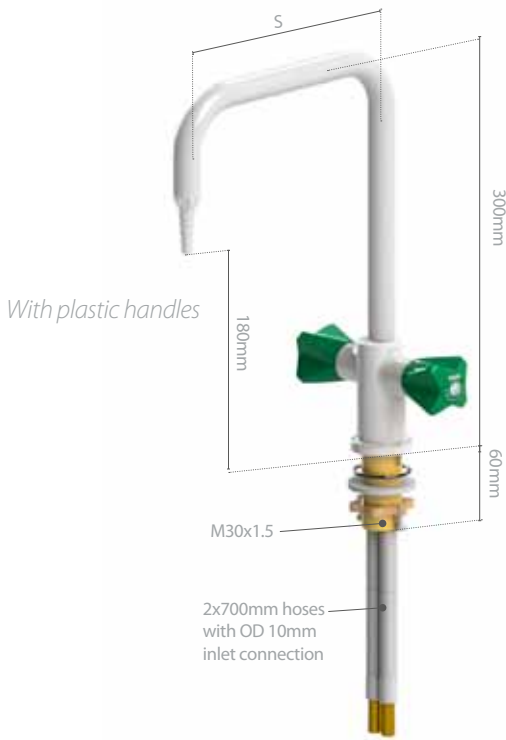
Model: Wrist action lever



Media	S = 150mm	S = 200mm
Potable water, cold	2533 138 1001-52B	2533 139 1001-52B
Non-potable water, cold	2533 138 1007-52B	2533 139 1007-52B

For further information and mounting instructions please refer to www.BROEN.com or contact your local BROEN LAB representative.

TWO HANDLE BENCH MOUNTED ONE HOLE MIXER WITH SWIVEL SPOUT



SPECIFICATIONS

- Handle:** Plastic, with media indication according to EN13792
- Spout:** Full swivel action
- Hose nozzle:** Fixed plastic
- Headwork:** Rubber (wrist action lever: ceramic)
- Opening/closing function:** 2 x 360° (wrist action lever: 90°)
- Temperature range:** 0-65°C
- Max. working pressure:** 10 bar / 147 psi
- Test pressure:** 1 x working pressure
- Weight:** 1.8 kg

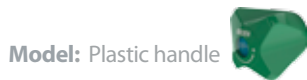
MATERIALS WITH MEDIA CONTACT

- Metals:** Brass
- Plastics:** PP, PTFE, SPX (hose)
- Sealing:** EPDM
- Lubricant:** Silicone based
- Ceramics:** Al₂O₃ 96% (wrist action lever only)

ORDERING INFORMATION

For standard configuration please refer to the item numbers below.

- Other options:
- aerator
 - removable plastic hose nozzle
 - integrated non-return valve
 - fixed spout
 - alternative hose inlet connection / without a hose
 - OD 10mm Cu pipes
 - other inlet options
 - national approvals



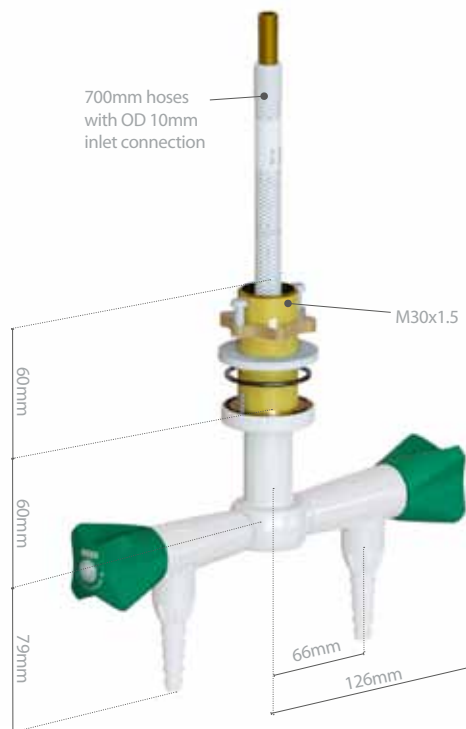
BROEN UNIFLEX™ FITTINGS FOR WATER

Media	S = 150mm	S = 200mm	S = 250mm	S = 300mm
Potable water, cold/hot	2536 039 1039-52B	2536 045 1039-52B	2536 046 1039-52B	2536 047 1039-52B
Non-potable water, cold/hot	2536 039 1040-52B	2536 045 1040-52B	2536 046 1040-52B	2536 047 1040-52B



Media	S = 150mm	S = 200mm	S = 250mm	S = 300mm
Potable water, cold/hot	2536 041 1039-52B	2536 048 1039-52B	2536 049 1039-52B	2536 050 1039-52B
Non-potable water, cold/hot	2536 041 1040-52B	2536 048 1040-52B	2536 049 1040-52B	2536 050 1040-52B

For further information and mounting instructions please refer to www.BROEN.com or contact your local BROEN LAB representative.



With plastic handles

SPECIFICATIONS

- Handle:** Plastic, with media indication according to EN13792
- Hose nozzle:** Fixed plastic (can be unscrewed by hand, thread: male G3/8)
- Headwork:** Rubber
- Opening/closing function:** 2 x 360°
- Temperature range:** 0-65°C
- Max. working pressure:** 10 bar / 147 psi
- Test pressure:** 1 x working pressure
- Weight:** 2.5 kg

MATERIALS WITH MEDIA CONTACT

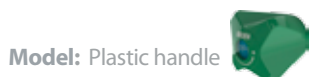
- Metals:** Brass
- Plastics:** PP, SPX (hose)
- Sealing:** EPDM
- Lubricant:** Silicone based

ORDERING INFORMATION

For standard configuration please refer to the item numbers below.

Other options:

- aerator
- removable plastic hose nozzle
- wrist action lever
- models with single valve, 2 valves in 90° and 4 valves
- alternative hose inlet connection / without a hose
- other inlet options (type, length)
- national approvals
- WPH (Water Potable Hot)
- WNH (Water Non-potable Hot)



Media	2-valve 180°
Potable water, cold	2530 064 1001-52B
Non-potable water, cold	2530 064 1007-52B

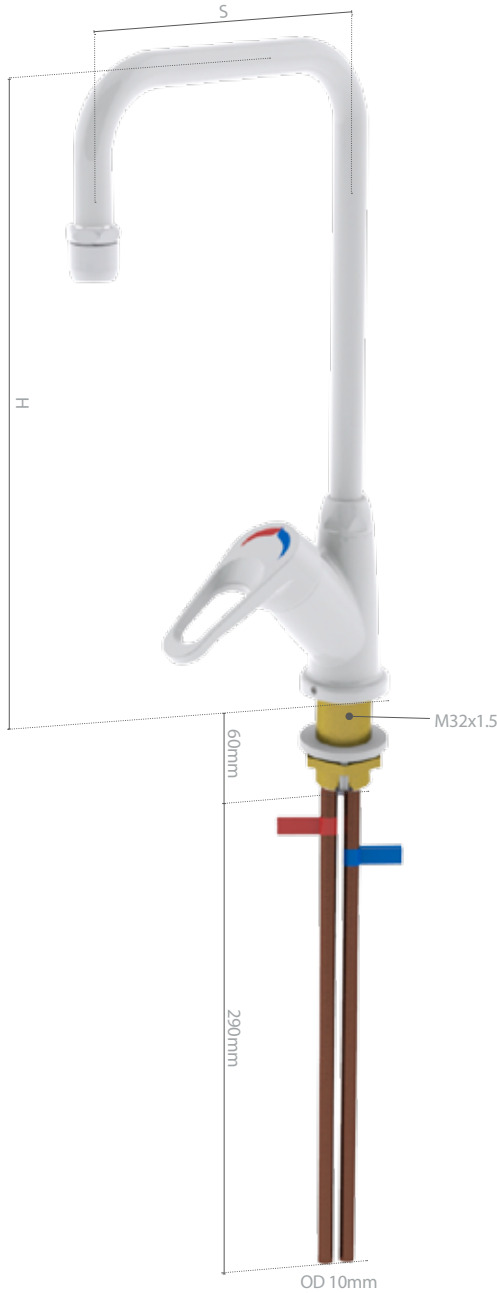
For further information and mounting instructions please refer to www.BROEN.com or contact your local BROEN LAB representative.



BROEN UNIFLEX™ FITTINGS FOR WATER



BROEN UNIFLEX™ FITTINGS FOR WATER



SPECIFICATIONS

- Handle:** Metal, BROEN POLYCOAT powder coated
- Spout:** Swivel action
- Hose nozzle:** Aerator
- Cartridge:** Ceramic (temperature and flow limiting type)
- Opening/closing function:** 25°, mixing function: ±45°
- Temperature range:** 0°C - 90°C
- Max. working pressure:** 10 bar / 147 psi
- Test pressure:** 1 x working pressure
- Weight:** 2.4 kg

MATERIALS WITH MEDIA CONTACT

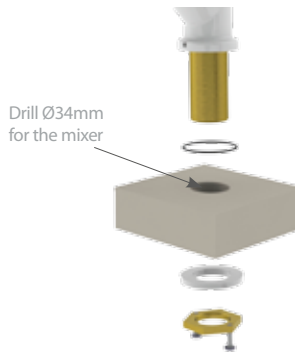
- Metals:** Brass
- Plastics:** POM, PTFE, SPX (hose)
- Sealing:** EPDM
- Lubricant:** Silicone based
- Ceramics:** Al₂O₃ 96%

ORDERING INFORMATION

For standard configuration please refer to the item numbers below.

- Other options:
- removable hose nozzle

MOUNTING INFORMATION



Media

H=360mm, S = 180mm

H=300mm, S=200mm



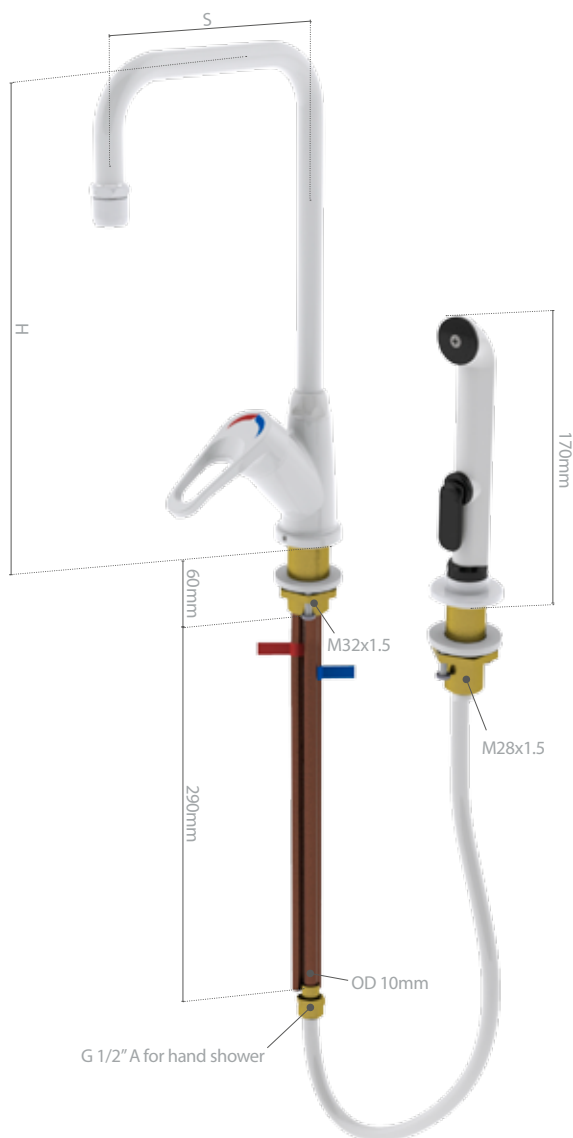
Short Handle

15 304.009

15 304.459

For further information and mounting instructions please refer to www.BROEN.com or contact your local BROEN LAB representative.

SINGLE HANDLE MIXER BENCH MOUNTED WITH HAND SHOWER



SPECIFICATIONS

Handle: Metal, BROEN POLYCOAT powder coated

Spout: Swivel action

Hose nozzle: Aerator

Cartridge: Ceramic (temperature and flow limiting type)

Opening/closing function:

- **mixer:** 25°, mixing function: ±45°
- **hand shower** is operated when mixer's handle is in open position

Temperature range: 0°C - 90°C

Max. working pressure: 10 bar / 147 psi

Test pressure: 1 x working pressure

Weight: 3.0 kg

MATERIALS WITH MEDIA CONTACT

Metals: Brass

Plastics: POM, PTFE, SPX (hose), ABS

Sealing: EPDM

Lubricant: Silicone based

Ceramics: Al₂O₃ 96%

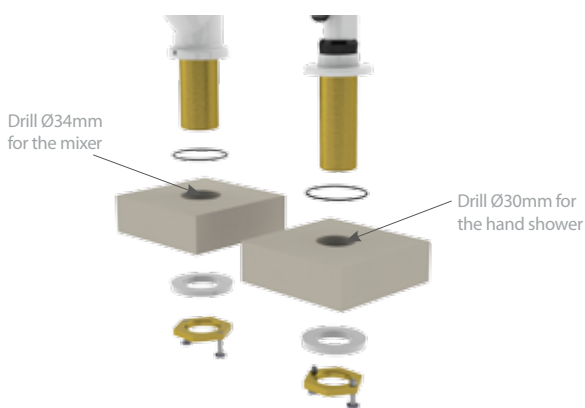
ORDERING INFORMATION

For standard configuration please refer to the item numbers below.

Other options:

- removable hose nozzle

MOUNTING INFORMATION



BROEN UNIFLEX™ FITTINGS FOR WATER

Media

H=360mm, S = 180mm

H=300mm, S=200mm



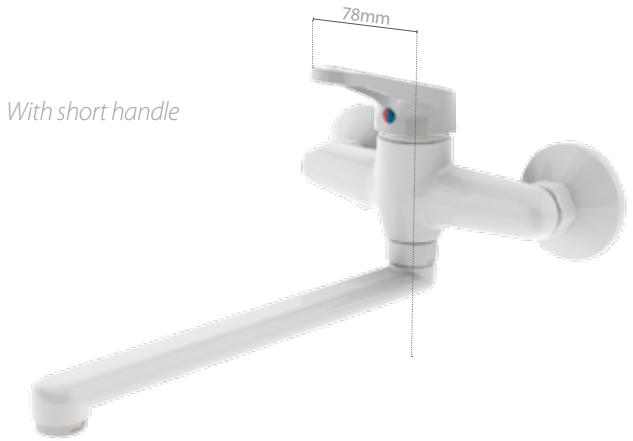
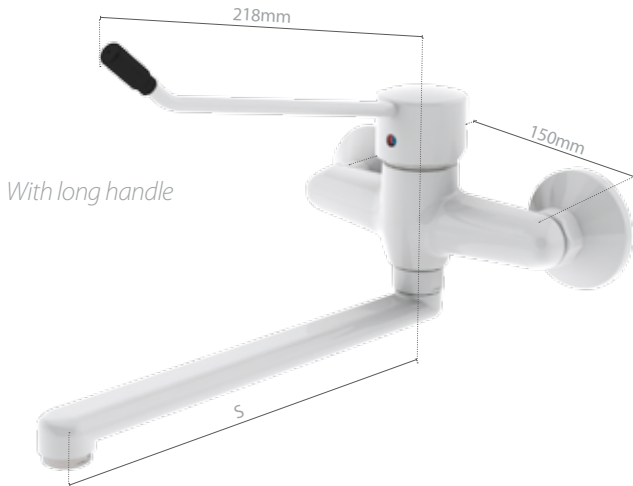
Short Handle

15 305.009

15 305.459

For further information and mounting instructions please refer to www.BROEN.com or contact your local BROEN LAB representative.

ONE HANDLE TWO HOLE MIXER WITH SWIVEL SPOUT



BROEN UNIFLEX™ FITTINGS FOR WATER

SPECIFICATIONS

- Handle:** Metal, BROEN POLYCOAT powder coated
- Spout:** Swivel action
- Hose nozzle:** Aerator
- Cartridge:** Ceramic (temperature and flow limiting type)
- Opening/closing function:** 25°, mixing function: ±45°
- Temperature range:** 0°C - 90°C
- Max. working pressure:** 10 bar / 147 psi
- Test pressure:** 1 x working pressure
- Inlets:** Eccentric couplings with male G1/2
- Weight:** 1.5 kg

MATERIALS WITH MEDIA CONTACT

- Metals:** Brass
- Plastics:** POM, PTFE, SPX (hose)
- Sealing:** EPDM
- Lubricant:** Silicone based
- Ceramics:** Al₂O₃ 96%

ORDERING INFORMATION

For standard configuration please refer to the item numbers below.

- Other options:
- removable hose nozzle
 - bench mounted model
 - different inlet connections
(with BROEN UniFlex™ rear wall connection, lead-in. etc)

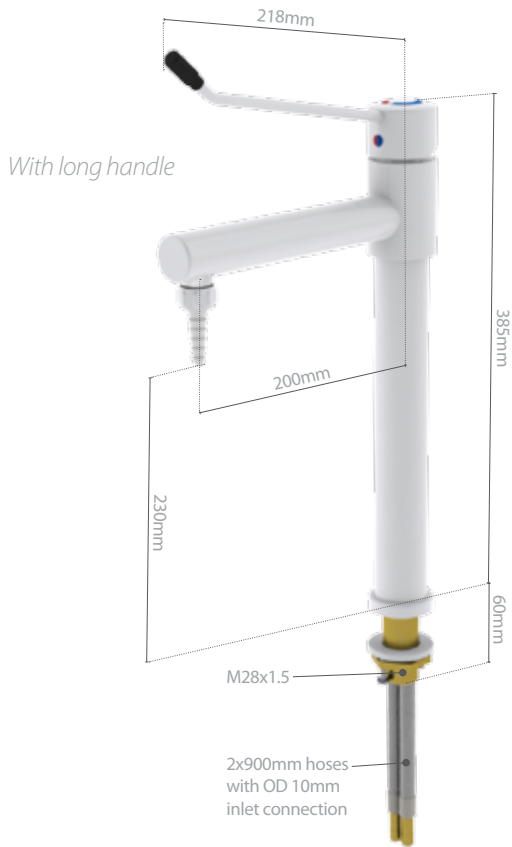
Media:



Model	S = 200mm	S = 250mm	S = 300mm
 Short Handle	2535 010 1035	2535 004 1035	2535 016 1035
 Long Handle	2535 007 1035	2535 001 1035	2535 013 1035

For further information and mounting instructions please refer to www.BROEN.com or contact your local BROEN LAB representative.

ONE HANDLE MIXER WITH SWIVEL SPOUT



SPECIFICATIONS

- Handle:** Metal, BROEN POLYCOAT powder coated
- Spout:** Full swivel action (110° limited swivel or no swivel as an option, should be mentioned when ordering)
- Hose nozzle:** Removable plastic (aerator included)
- Cartridge:** Ceramic (temperature and flow limiting type)
- Opening/closing function:** 25°, mixing function: ±45°
- Temperature range:** 0°C - 65°C
- Max. working pressure:** 10 bar / 147 psi
- Weight:** 2.8 kg

MATERIALS WITH MEDIA CONTACT

- Metals:** Brass
- Plastics:** PP, POM, PTFE, SPX (hose)
- Sealing:** EPDM
- Lubricant:** Silicone based
- Ceramics:** Al₂O₃ 96%

ORDERING INFORMATION

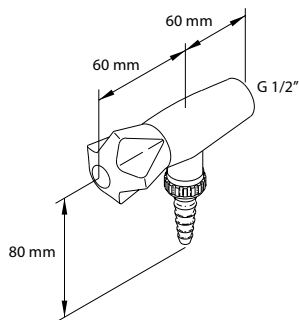
For standard configuration please refer to the item numbers below.



BROEN UNIFLEX™ FITTINGS FOR WATER

Model	S = 200mm
Short Handle	G350328135
Long Handle	G350318135

For further information and mounting instructions please refer to www.BROEN.com or contact your local BROEN LAB representative.



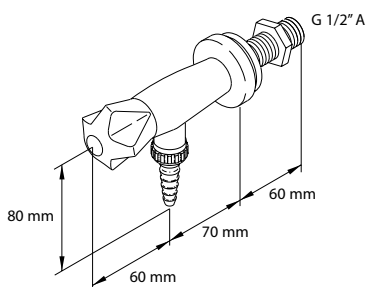
No. 18 204.009 Valve for wall mounting with detachable nozzle.

TO BE DISCONTINUED, AVAILABLE ON REQUEST

Weight: 0.6 kg

Materials with medium contact:

Metals: Brass and nickel
 Sealing: EPDM
 Lubricant: Based on silicone



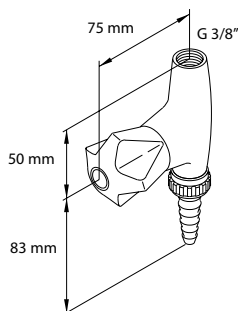
No. 18 002.009 Valve for wall mounting with detachable nozzle.

TO BE DISCONTINUED, AVAILABLE ON REQUEST

Weight: 0.9 kg

Materials with medium contact:

Metals: Brass and nickel
 Sealing: EPDM
 Lubricant: Based on silicone
 Glue: Loctite



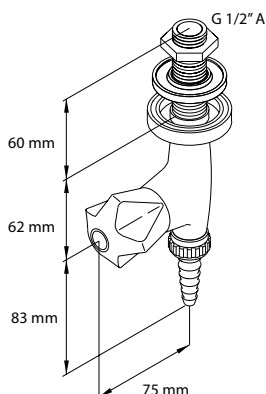
No. 18 010.009 Valve for suspended or wall mounting with detachable nozzle.

TO BE DISCONTINUED, AVAILABLE ON REQUEST

Weight: 0.6 kg

Materials with medium contact:

Metals: Brass and nickel
 Sealing: EPDM
 Lubricant: Based on silicone



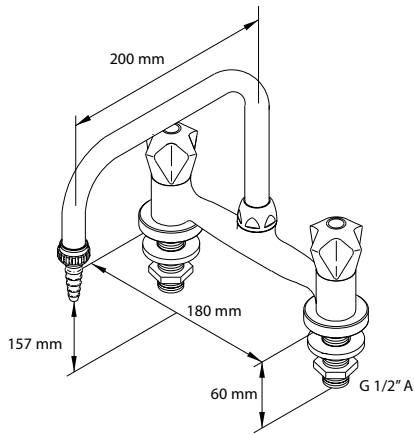
No. 18 340.009 Valve for suspended or wall mounting with detachable nozzle.

TO BE DISCONTINUED, AVAILABLE ON REQUEST

Weight: 0.9 kg

Materials with medium contact:

Metals: Brass and nickel
 Sealing: EPDM
 Lubricant: Based on silicone
 Glue: Loctite



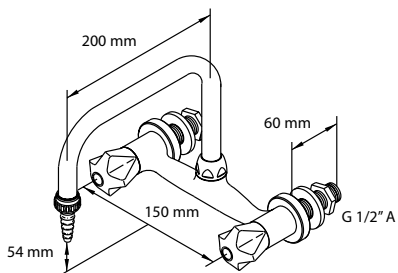
No. 08 500.009 Mixer for bench mounting with swivel spout and detachable nozzle.

TO BE DISCONTINUED, AVAILABLE ON REQUEST

Weight: 2.2 kg

Materials with medium contact:

Metals:	Brass and nickel
Sealing:	EPDM
Lubricant:	Based on silicone
Solder:	DIN L-Ag 55: Sn



No. 18 520.009 Mixer for wall mounting, with swivel spout and detachable nozzle. 150mm between inlets.

TO BE DISCONTINUED, AVAILABLE ON REQUEST

No. 08 520.009 Mixer for wall mounting, with swivel spout and detachable nozzle. 180mm between inlets.

TO BE DISCONTINUED, AVAILABLE ON REQUEST

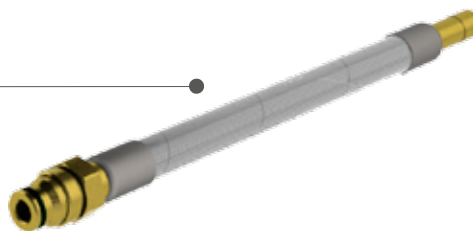
Weight: 2.2 kg

Materials with medium contact:

Metals:	Brass and nickel
Sealing:	EPDM
Lubricant:	Based on silicone
Glue:	Loctite
Solder:	DIN L-Ag 55: Sn



BROEN UniFlex™ flexible hoses



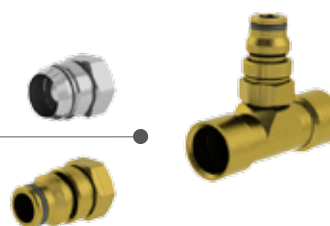
BROEN LAB offers BROEN UniFlex™ hoses as an easy way to make the installation in the laboratory where safety and efficiency are required. BROEN UniFlex™ hoses are the ideal solution where there is a higher requirement for flexibility. Installation with flexible hoses saves you time and labor - in other words reduced installation costs.

A wide range of fittings and lengths available for BROEN UniFlex™ hoses enables customers to choose the perfect hose for their application.

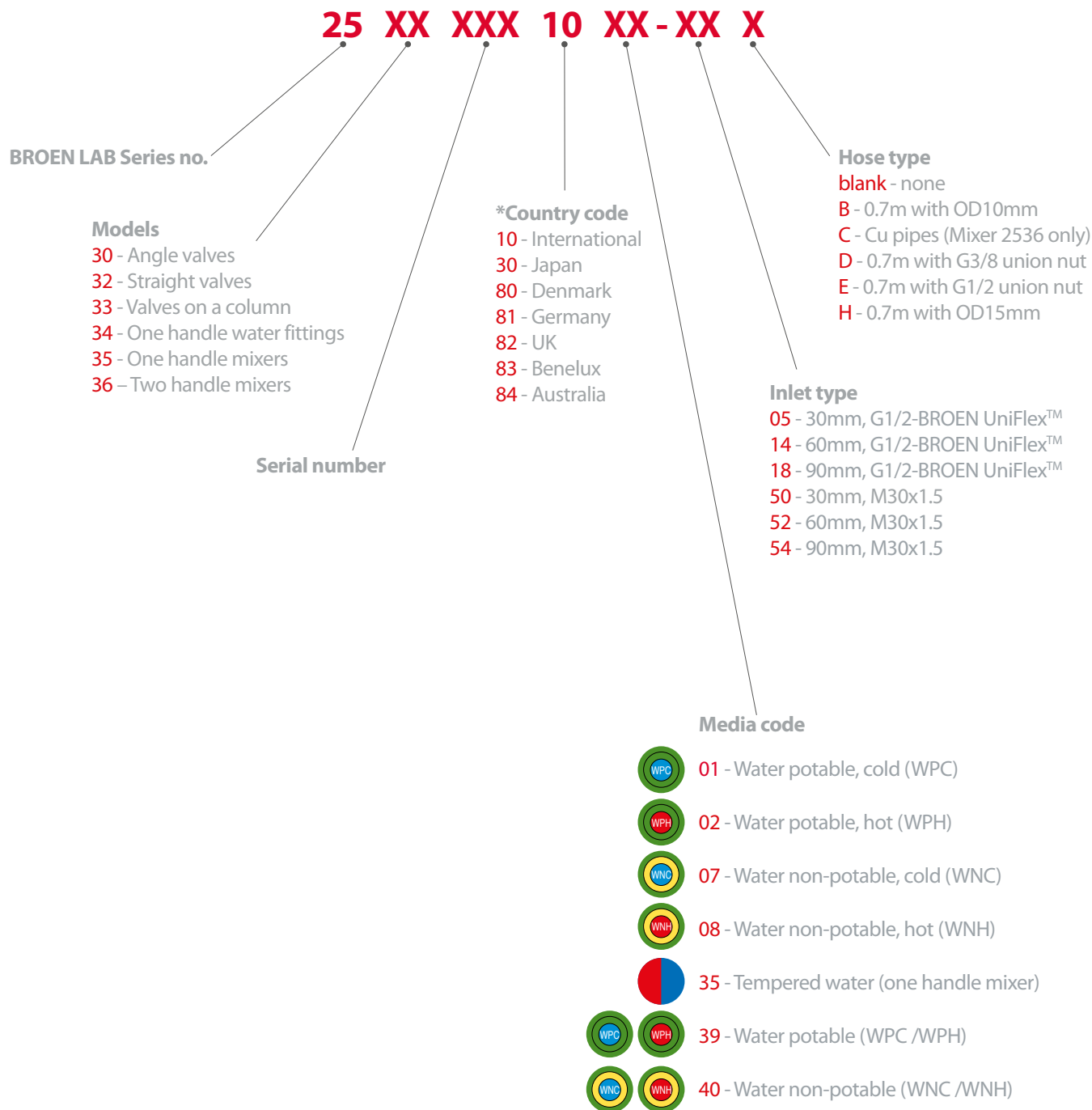
BROEN UniFlex™ hoses for water are manufactured of soft cross-linked polyethylene (SPX), which is approved for use with drinking water and meets all hygienic requirements. From the outside the hose is secured by a Stainless Steel braiding that ensures long service life and durability.

If you still prefer a standard way of installation with Cu, Stainless Steel, or PEX-pipes, BROEN LAB offers a wide range of connection fittings and adaptors for pipes of different dimensions.

BROEN UniFlex™ connection fittings and adaptors for Cu, Stainless Steel and PEX pipes



Generally, item number for BROEN UniFlex fittings has the following structure:



* For water some national standards may apply, therefore contact your BROEN LAB representative for more information.

ORDERING INFORMATION
BROEN UNIFLEX™ HOSES FOR WATER



BROEN UNIFLEX™ FITTINGS FOR WATER

INLET CONNECTIONS

93 V XX XX XXXX

3/8" fixed connection (Code 32)



1/2" fixed connection (Code 31)



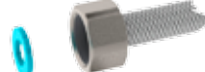
3/4" fixed connection (Code 33)



3/8" union connection (Code 41)



1/2" union connection (Code 40)



3/4" union connection (Code 42)



OD10mm connection (Code 10)



OD12mm connection (Code 12)



OD15mm connection (Code 15)



Straight BROEN UniFlex™ connection with EPDM o-ring (Code 20)



45° BROEN UniFlex™ connection with EPDM o-ring (Code 25)



90° BROEN UniFlex™ connection with EPDM o-ring (Code 30)



OUTLET CONNECTIONS

93 V XX XX XXXX

Straight BROEN UniFlex connection with EPDM o-ring (Code 20)



45° BROEN UniFlex connection with EPDM o-ring (Code 25)



90° BROEN UniFlex connection with EPDM o-ring (Code 30)



M10x1 mm short connection with EPDM o-ring (Code 51)



PLEASE NOTE:

M10 connections can only be used to mixer and multimedia fittings

*All O-rings are lubricated with silicone based lubricant

SPECIFICATIONS

Inner hose material: SPX (soft PEX)

Braiding: Stainless steel with one green stripe

Hose materials with media contact: SPX, brass, EPDM and silicone based lubricant

Inside diameter: 8.2mm

Outside diameter: 12mm

Max. working pressure: 10 bar

Max. working temperature: 90°C

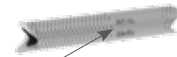
Max. bending radius (inner): 40mm

Min. length with connections: 160mm

HOSE

93 V XX XX XXXX

SPX hose with braiding in stainless steel



Marking for water with Part no. and Media indication

HOSE LENGTHS

Definition of length (L)



Definition of length (L)



If an 45° and 90°elbow occur on the same hose, it will as default be mounted in U-form

Standard lengths of hoses (L):

0500 = 500mm

0700 = 700mm

1000 = 1000mm

1200 = 1200mm

1500 = 1500mm

2000 = 2000mm

2500 = 2500mm

3000 = 3000mm

Length tolerance of hoses:

L = ≤400mm (- 0, +10mm)

L = 401mm to 1000mm (- 0, + 20mm)

L = >1000mm (- 0, + 30mm)

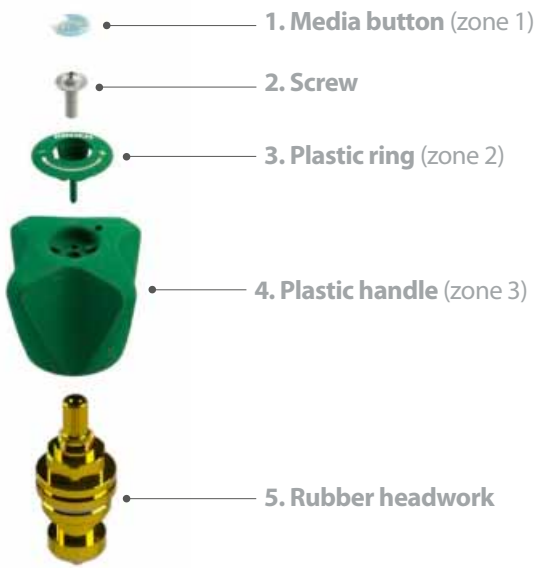
EXAMPLE OF HOSE CONFIGURATION

1200mm hose with OD 12mm inlet connection and straight UniFlex™ outlet connection



93V12201200

ORDERING INFORMATION



Complete set with plastic handle and media indication

- No. 191501401001 (WPC)
- No. 191501401002 (WPH)
- No. 191501401007 (WNC)
- No. 191501401008 (WNH)

1. Media button

- No. 1915710 (WPC)
- No. 1915711 (WPH)
- No. 1915744 (WNH)
- No. 1915745 (WNC)

2. Screw

- No. 97G0033

3. Plastic ring

- No. 1915704-4059 (yellow)
- No. 1915704-5168 (green)

4. Plastic handle

- No. 1915701-5168 (green)

5. Rubber headwork

- No. 1977000

SPECIFICATIONS

BROEN UniFlex™ water fittings with plastic handles are delivered with rubber headworks.

Water fittings with rubber headwork offer quick and precise adjustment and a long service life.

Opening/closing function: 2 x 360° turn

Media: Hot/cold water

Temperature range: Please refer to the individual fitting

Max. working pressure: 10 bar / 147 psi

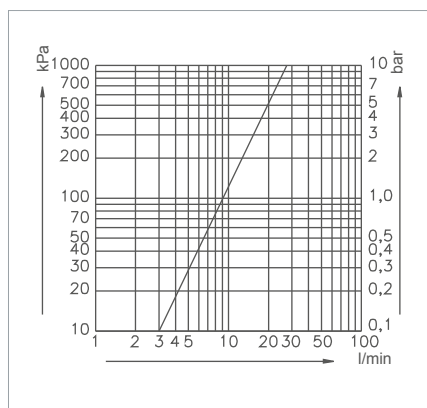
MATERIALS WITH MEDIA CONTACT

Metals: Brass

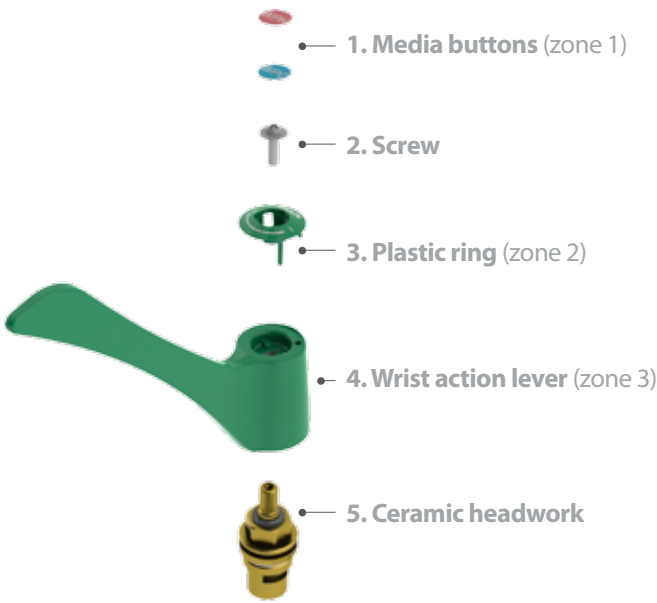
Sealing: EPDM

Lubricant: Silicone based

FLOW CHART



ORDERING INFORMATION



BROEN UNIFLEX™ FITTINGS FOR WATER

Complete set with ceramic headwork, metal handle and media indications WPC and WPH:

LEFT TURN CLOSING

No. 19 164.289

RIGHT TURN CLOSING

No. 19 164.299

1. Media buttons

- No. 1915710 (WPC)
- No. 1915711 (WPH)
- No. 1915744 (WNH)
- No. 1915745 (WNC)

2. Screw

No. 97G0033

3. Plastic ring

- No. 1915705-4059 (yellow)
- No. 1915705-5168 (green)

3. Plastic ring

- No. 1915704-4059 (yellow)
- No. 1915704-5168 (green)

4. Wrist action lever (zone 3)

No. 1916433G-5168 (green)

5. Ceramic headwork

No. 1976400

5. Ceramic headwork

No. 1976500

SPECIFICATIONS

BROEN UniFlex™ water fittings with wrist action leavers are delivered with ceramic headworks. This headwork is specially designed to fit BROEN wrist action lever.

Opening/closing function: 90° turn

Media: Hot/cold water

Temperature range: Please refer to the individual fitting

Max. working pressure: 10 bar / 147 psi

Test pressure: 1 x working pressure

MATERIALS WITH MEDIA CONTACT

Metals: Brass

Sealing: EPDM, silicone

Plastics: POM

Lubricant: Silicone based

Ceramics: Al-oxyd 96%

FLOW CHART

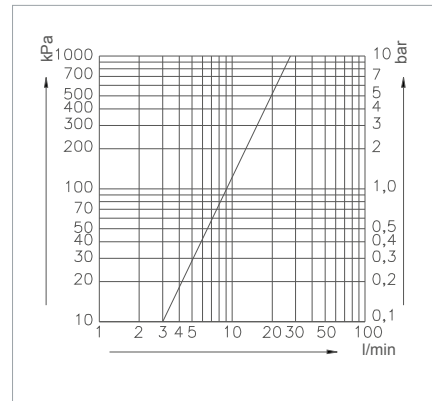


Illustration	Description	BROEN item No.
	Adaptor for aerator	2539 005 1001
	Aerator	2539 006 1001
	Adaptor for removable plastic nozzle	2539 003 1001 (for 2534- and 2536- models only)
	Removable plastic nozzle	2539 004 1001
	Fixed plastic nozzle	2539 010 1001 (for 2534- and 2536- models only) 2539 040 1001 (for other models)
	Mounting set for G1/2 connection	19141000
	G1/2 inlet with female BROEN UniFlex™ connection (incl. O-ring) L=30mm L=60mm L=90mm	1550233V 1527454V 1550246V
	Mounting set for M30x1,5 connection	19190000
	Threaded inlet pipe M30x1,5 L=30mm L=60mm L=90mm	1919003 1919002 1919004
	Vacuum pump for water fitting	19198009

BROEN LAB develops, manufactures and delivers complete range of fittings for professional laboratories. Our know-how and our quality products ensure the precise flow of water, gases and air, from source to user.

BROEN LAB solutions are used by professional users in many kinds of laboratories, from the education and health sectors to industry in general. Our products are already an integrated part of many workplaces. From fittings for purified water, nitrogen, vacuum and compressed air, to the control and regulation of pure gases in critical applications such as a gas chromatography and spectrometry.

Our extensive knowledge allows us to continually develop and optimize our products so that they meet customer needs and specifications. Safety, functionality and quality are an integral part of product design and flexibility. Our insight and understanding of working environments and safety in laboratories allow us to develop custom solutions for projects around the world. Use us to plan your project so we can advise you on laboratory layout and design.

Head Office: BROEN LAB GROUP

Skovvej 30 • DK-5610 Assens
Tel. +45 6471 2095 • Fax +45 6471 2476
E-mail: lab@broen.com

BROEN Armaturen GmbH
Industriestrasse 8 • D - 64579 Gernsheim
Germany
Tel. +49 6258 9319-0 • Fax +49 6258 51812
E-mail: info@broen.de

BROEN VALVES Ltd.
7, Cleton Street Business Park, Cleton Street
Tipton • West Midlands DY4 7TR • U.K.
Tel. +44 121 522 4515 • Fax +44 121 522 4535
E-mail: broenvalves@broen.com

BROEN Singapore Pte. Ltd.
10 Bukit Batok Crescent #10-02 • The Spire S(658079) • Singapore
Tel: +65 6298 0662 • Fax: +65 6298 0468 • Mobil: +65 9749 7471
E-mail: sales@broen.com.sg

www.broen.com

9980655 - 112011UK BROEN UNIFLEX™ FITTINGS FOR WATER - BASIC 1. Edition

