



*Poltik*

Mera-Poltik Sp. Z o.o.

If for any reasons electronics is not enough ...  
we offer you ....



.... Springwound Timers and Interval Timer

Mera-Poltik Sp. Z o.o.

Aleksandra 24/26/24G

93-418 Lodz, Poland

tel. +48(42) 684 87 22

fax +48(42) 636 06 30

mail: sekretariat@mera-poltik.com.pl

[www.mera-poltik.com.pl](http://www.mera-poltik.com.pl)



### Applications

#### 600 series:



For electrical appliances and systems which function duration must be limited, e.g. radiation appliances, heating systems, drying ovens, grills, electric blankets, kitchen appliances, ventilators, medical equipment, washing machines, centrifuges, sauna, tanning beds, etc.

#### 601 series:



For electrical appliances and systems that must be switched on or off at a certain time, e.g. heating systems, radiation and charging devices, kitchen appliances, washing machines, ventilators, dryers, grills, medical equipment, etc.

### Product Information

- Standard programmed times of 4, 6, 15, 30, 60, 90 and 120 min.
- Optional with hold position
- Optional with bell signal  
possibility of simultaneous plugging in two outer appliances
- (601 series)
- Optional with pre-switching (601 series)
- 1-pole and 2-pole interrupter (600 series)

### Accessories

Knob and dial face can be supplied for additional costs

### Connection

Electrical connection via tab terminals 6.3 x 0.8 mm in accordance with EN 61210, lateral or axial connections are optional

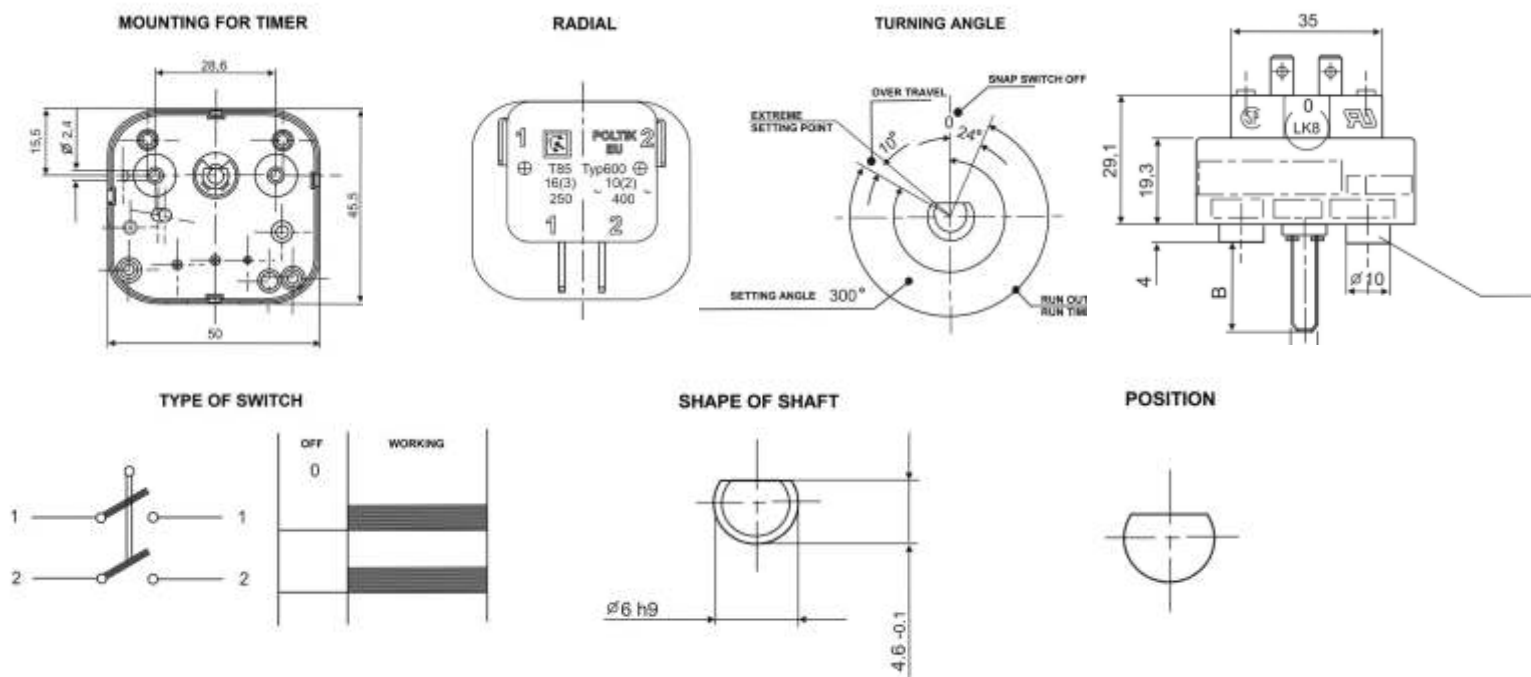
### Technical Data

- Switching rate 16 (3) A/250 V AC, 10 (2) A/400 V AC, 13A/250 V AC +++
- Contact distance 3 mm
- Instantaneous contact switching
- Winding and switching angles see technical drawings
- With hold position, acceleration torque button max. 50g/cm<sup>2</sup> (600 series)
- Minimum wind up angle 30° (40° 600 series)  
Resetting in reverse direction allows very short programs times to be set
- Torques: Actuating torque to wind up at the switch shaft approx. 0.25 Nm; Friction/slide torque max. 0.7 Nm  
Static friction torque max. 1.0 Nm  
Breaking torque at the switch shaft max. 1.0 Nm; Torque for switching into the hold position approx. 0.8 Nm
- Suitable for fitting in appliances of protection class I and II in accordance with EN 60730  
Max. ambient temperature 85°C, optional 125°C

### Approvals

- VDE
- UL
- CSA

## Sample of modification:



Don't Let Your Appliance Limit You ...  
... Control it !

- One or two contacts
- Opening, closing or switchover
- With bell signal



.... Hear it !



- Bell signal after 15, 30 or 60 minutes
- Loud signal for several seconds
- T 125°C

### Applications :

For appliances which running time must be acoustically indicated after expiry, for example: electric and gas ranges, rotisseries, microwaves, solariums, medical equipment, built-in kitchens, photo labs, etc.

### Product Information

- Standard running times 15, 30 and 60 minutes
- Bell signal, the duration is independent of the running time set
- Friction for setting corrections

### Technical Data

- The signal duration is approximately 7 seconds during the run down from 6 to 0 minutes, therefore it is independent of the running time
- Dial angles:  
Time: 270°  
Signal: 90°
- Operating torques:  
-Setting torque max. 0,45 Nm  
-Return torque:  
- Sliding torque max. 0,6 Nm  
-Adhesion torque max. 1,0 Nm
- Max. permissible push-on load for the knob 150 N without shaft support
- Ambient temperature range T125



### Accessories

Knobs and dials on request at an additional cost.

### Connection

Built-in mechanism by means of 2 self-tapping screws Bz 2.9, screw in depth 8 mm max.

